



JiWoo Tech Inc.

Ozone System

Clean Ozone



HIGH CONCENTRATION OZONE GENERATOR

■ OZONE GAS GENERATOR

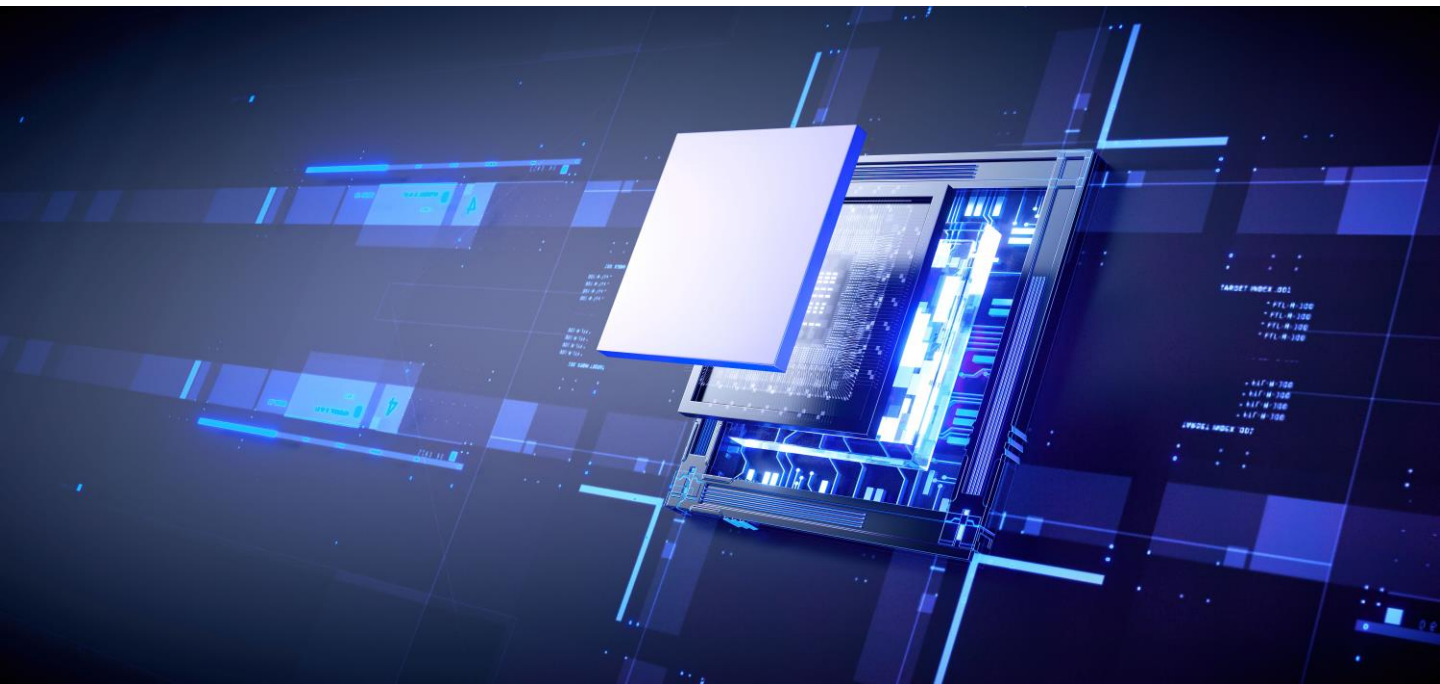


Ozone Division

TEL : 031-546-8208

FAX : 031-548-1609

E-Mail : gwseo@jiwootech.kr



■ OZONE GAS GENERATOR

JIWOO TECH ozone generator adopt the flat plate type discharging cell which convert oxygen to ozone by electric power.

The discharging cell consists of high purity ceramics to prevent metal contaminations to the extremely low level.

The ozone concentration is over 400g/m³(N) which is at the top-class in the market.

It has been highly regarded by many customers at dry and wet processes of semiconductor, FPD and other electronic device material manufacturing processes.

Application

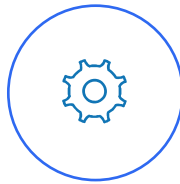
- ✓ Semiconductor device (AL₂O₃, ZrO₂, HfO₂)
- ✓ Si/Compound wafer
- ✓ FPD(LTPS, HTPS, TFT, Color filter, OLED)
- ✓ Photomask
- ✓ LED

Features



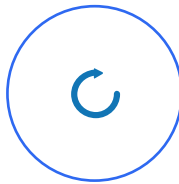
High concentration

High concentration; Up to 400g/m³(N) without nitrogen doping.



Abundant product line up

Small to large capacity
Ozone gas flow rate : 1L/min to 60L/min
[at 210g/m³(n)]



Long life cycle

High pressure tolerance, Long life cycle discharging cell.



Stable concentration

Stable concentration by integrated with ozone monitor(Closed-loop control)



Manufacture in Korea

**Design, Frame, Wiring, Piping and Programming
OZONE CELL Assembly, Overhaul(A/S)**

Equipment Specifications (example)

Ozone Flow rate	▶	1L/min to 60L/min [at 210g/m ³ (N)] <u>Max 400g/m³</u>
Ozone gas supply Pressure	▶	0.15 ~ 0.3MPa
Cooling water Temperature	▶	20±2°C
Power	▶	200 ~ 22VAC, 3phase
Weight	▶	Approx. 350 kg
Dimensions	▶	02RS-GS W600 x D600 x H1650mm
Other	▶	Ozone Destructor is Installation in the equipment

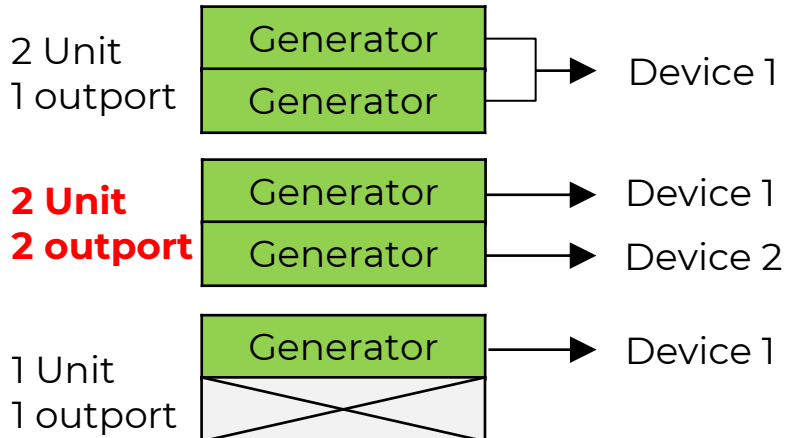
(Model : 02RS-GS)



**High concentrations can be used depending on flow control
(concentration 300 ~ 400 g/m³)**

Select Options

Option1 - Ozone Delivery System



Option2 - Select Generator

- GRC Series (N2 Doping Type)
- GRF Series (**N2 Less Type**)
- GRP Series (High Pressure Type)

Option3 - Installation Ozone Destructor in Equipment

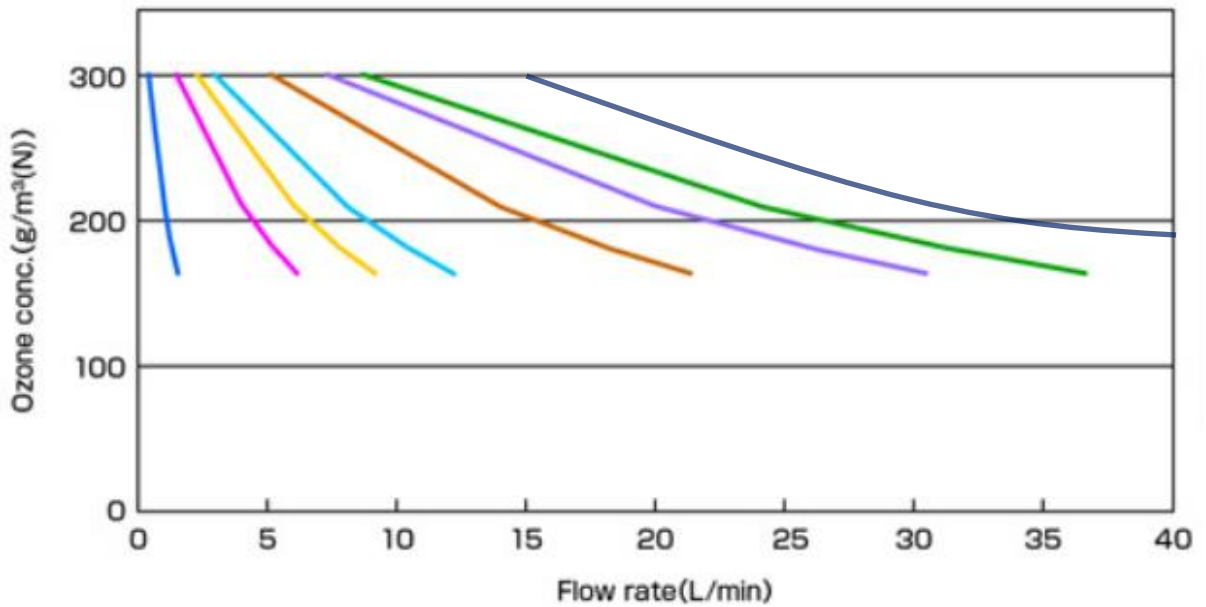
Install or Not Install



Performance curve (GRF series)

Performance curve

GRF Series (N2 Less Type)



GRF series performance curve





CONTACT US

 **JIWOO TECH Ozone Division**

TEL : 031-546-8208

FAX : 031-548-1609

E-Mail : gwseo@jiwootech.kr

24
Hour

We will reply within 24 hours.